

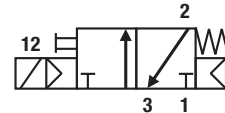
Banjo Valves - G1/4" & G1/8" Series

Solenoid Operated Versions

B03-B04 Versions with 22 mm Coil

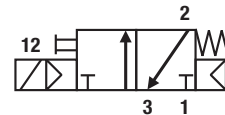
Port size	Orifice	Q _N	Admissible differential pressure (bar)		Max. admissible fluid temperature (°C)	Seat disc	Reference number			Consumption Power (Watt)		Weight (g)	Dimensions Reference	
			max.	min.			DC=	AC~	Valve	Housing	Coil			DC
G	mm	l/min	min	DC=	AC~	Air & Neutral gases		Valve	Housing	Coil	DC	AC		

3/2 Solenoid operated - Spring return (monostable)



1/8	1.2	50	0	10	10	50	NBR	131B14	-	496131	3	3	140	26
1/8	1.2	50	0	10	10	50	NBR	131B14	-	496482	3	3	140	26
1/8	1.2	50	0	10	10	50	NBR	131B14	-	496637	3	3	140	26

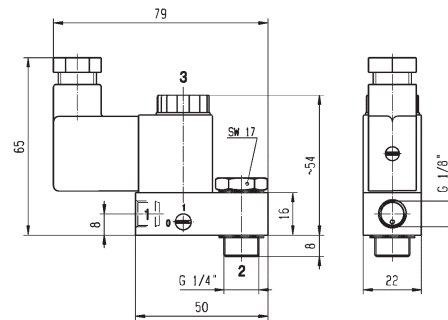
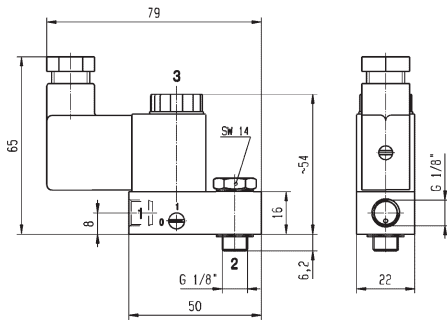
3/2 Solenoid operated - Spring return (monostable)



1/4	1.2	50	0	10	10	50	NBR	131B04	-	496131	3	3	160	27
1/4	1.2	50	0	10	10	50	NBR	131B04	-	496482	3	3	160	27
1/4	1.2	50	0	10	10	50	NBR	131B04	-	496637	3	3	160	27

Dimensions Reference 26

Dimensions Reference 27



Please consult the "How to Order" part at the end of each coil chapter.

Distribué par :

COREMA Z.I. ch. de Bernichon
F-33360 LATRESNE
Tél.: +33 (0)5.56.30.66.12 Mail : contact@corema.fr
Fax : +33 (0)5.56.30.62.24 Internet : www.corema.fr