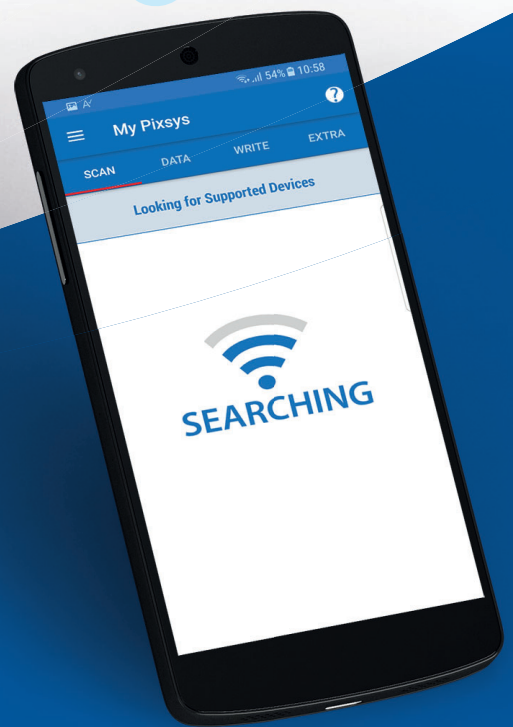


# ATR124

## Blue line



Programmable by RFID /NFC  
No wiring required!

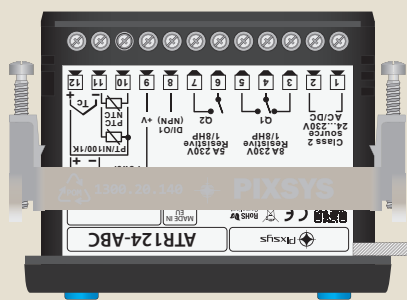


Universal analogue input (TC, RTD, mA, V)  
Multiple alarm modes  
Dynamic smart Tune  
Optional RS485 isolated

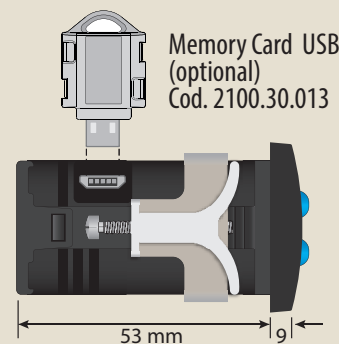
Distribué par

[www.corema.fr](http://www.corema.fr)

Frontal panel cut-out  
Dima di foratura  
28.5 x 70.5 mm





Suggested thickness  
Spessore suggerito  
2 ÷ 8 mm



Memory Card USB  
(optional)  
Cod. 2100.30.013

## Main features

BOX	32x74 (front panel) x 53 mm
POWER SUPPLY	24..230 V AC / DC $\pm 15\%$ 50/60 Hz - galvanic isolation 2,5KV (code -ABC) 12..24 V AC/DC $\pm 10\%$ 50/60 Hz - galvanic isolation 2,5KV (code -AD)
POWER CONSUMPTION	5 W
DISPLAY	3 digits 0,59" white
OPERATING CONDITIONS	Temperature 0-45 °C, humidity 35..95 RH%
MATERIAL	Box: PC UL94V2 self-extinguishing, front panel: PC UL94V2
WEIGHT	Approx. 120 g
SEALING	IP65 (front panel) IP20 (box and terminal bloks)
QUICK SET-UP OPTIONS	Memory Card, software LABSOFTVIEW
"MyPixsys" APP	Device setup via NFC for Android smartphone  . Via BT-NFC (2000.35.099) for iOS smartphone 

## Input

1 CONFIGURABLE	Res. 16 bit, selectable for TC type K, S, R, J, T (automatic compensation of the cold junction -25..85°C, $\pm 0,2\%$ F.S. $\pm 1$ digit F.S.), thermoresistances PT100, PT500, PT1000, Ni100, Ni120, PTC1K, NTC10K ( $\beta$ 3435K), process signals 0..10 V (50000 points), 0/4..20mA (40000 points), potentiometer 1..150 K $\Omega$ (50000 points)
SAMPLING TIME	Programmable up to 2,1 ms (frequency up to 470 Hz)

## Outputs

1/2 RELAYS	Q1 Relay 8 A - 250 V AC resistive charge - Q2 Relay 5 A - 250 V AC resistive charge
1 DIGITAL OUTPUT	8 VDC - 20 mA (codes -ABC) - 12..35 VDC - 30 mA (code -AD)
1 AUXILIARY	8 VDC - 20 mA (codes -ABC) - 12..35 VDC - 30 mA (code -AD) for sensor supply
SERIAL COMMUNICATION	RS485 Modbus RTU - Slave (4800..115200 baud code-T)

## Software features

CONTROL ALGORITHMS	ON - OFF with hysteresis, P, PI, P.I.D., P.D. time proportioned
TUNING	Manual or automatic
DATA PROTECTION	Lock of control / alarm setpoint / Access to parameters by password
ALARM MODES	Absolute / Threshold, Band, High / Low deviation. Alarm with optional manual reset. Loop Break Alarm function
AUTO / MANUAL FUNCTION	Output percentage command also with automatic change in case of sensor failure
DOUBLE P.I.D.	Heating / Cooling P.I.D.
SOFT-START	Rising gradient expressed as Degrees / Hour or fixed output percentage

## Ordering codes

ATR124-AD	1 Analogue Input + 2 Relays / Digital Output 12..24 V AC/DC
ATR124-AD-T	1 Analogue Input + 1 Relay / Digital Output 12..24 V AC/DC + RS485
ATR124-ABC	1 Analogue Input + 2 Relays + 1 Digital Output 24..230 V AC/DC